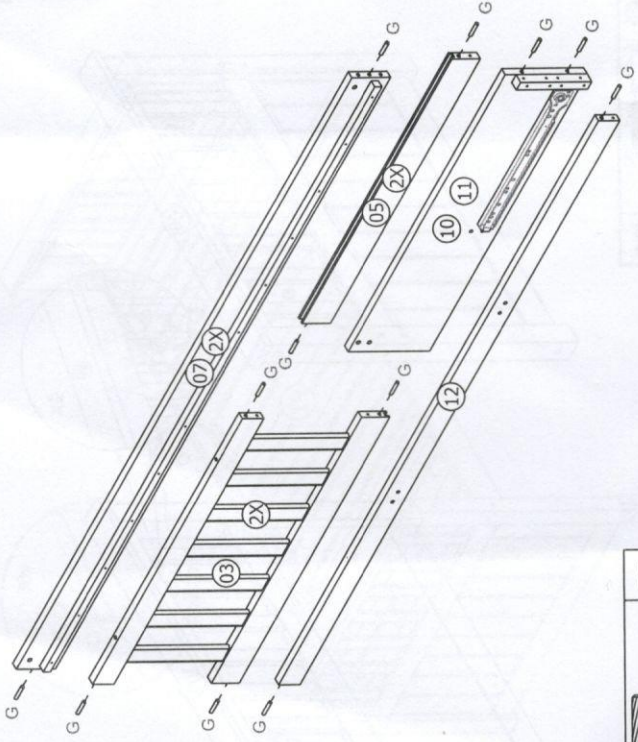


HARDWARE

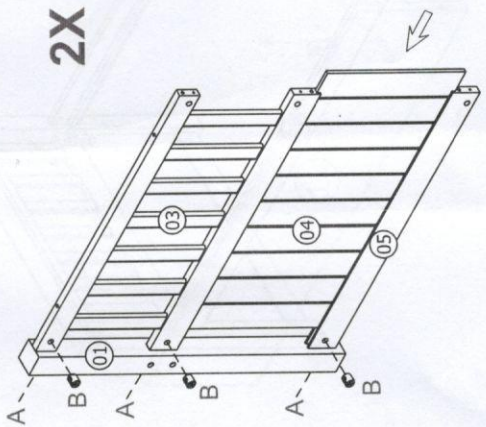
A	15mm M6x90mm	20
B	M6	24
C	15mm M6x60mm	04
D	12mm M6x70mm	04
E	8mm Ø3x14mm	08
F	10mm Ø6x50mm	02
G	Ø8x30mm	22
H	Ø6x34mm	16
I	Ø15x11mm	16
J	H35mm	04
K		06
L	M4x18mm	06
M	8mm Ø4x40mm	16
N	8mm Ø4x35mm	08
O	8mm Ø4x30mm	60
P		02


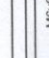
01

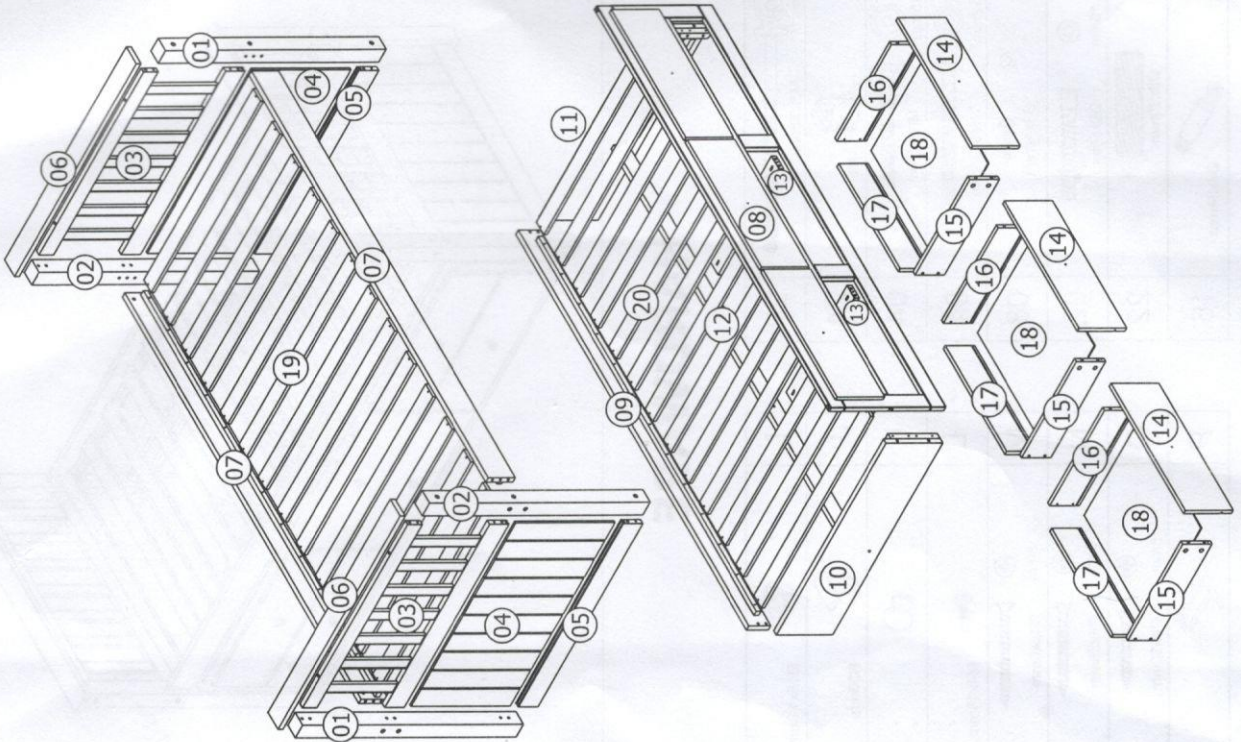


G	 22
---	--

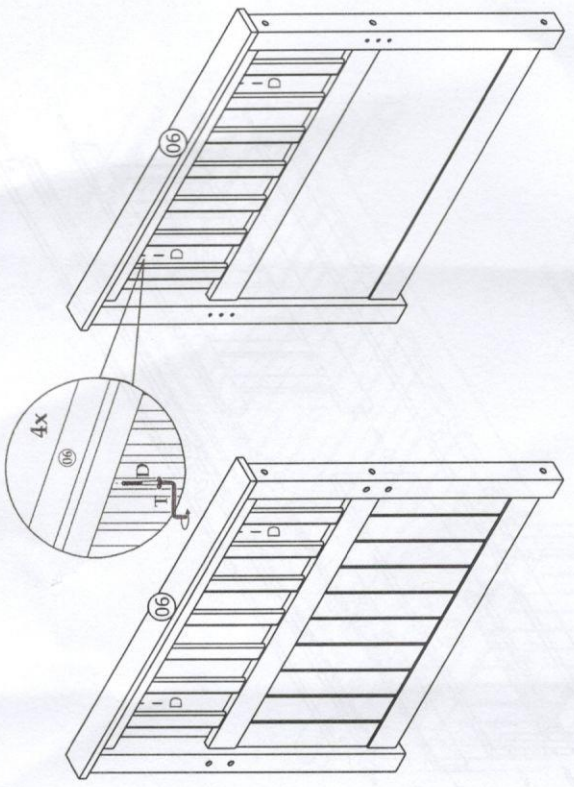
02



A	 12mm	12
B	 M6x90mm	12

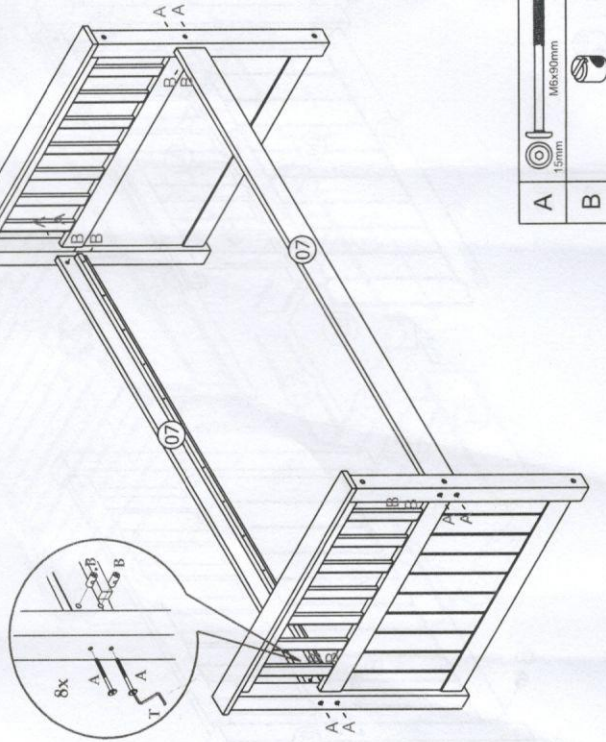


03



D		12mm	04
		M6x70mm	04

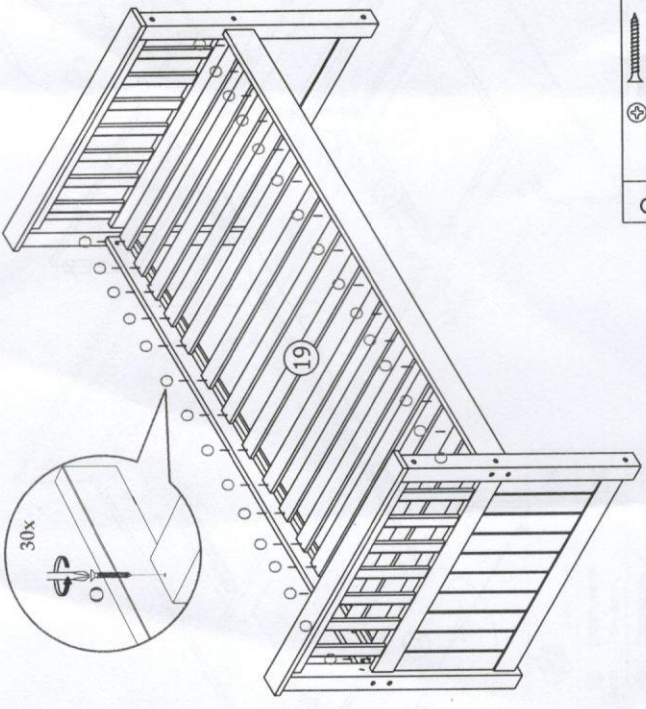
04



A		13mm	08
B		M6x90mm	08

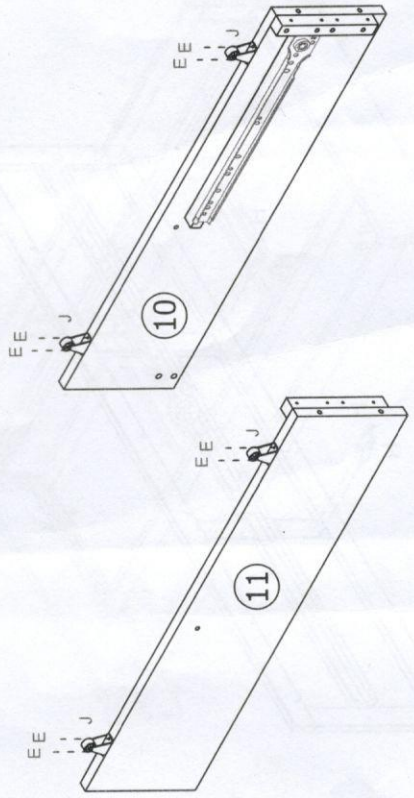
Page 4 of 11

05



O		8mm	30
		Ø4x30mm	30

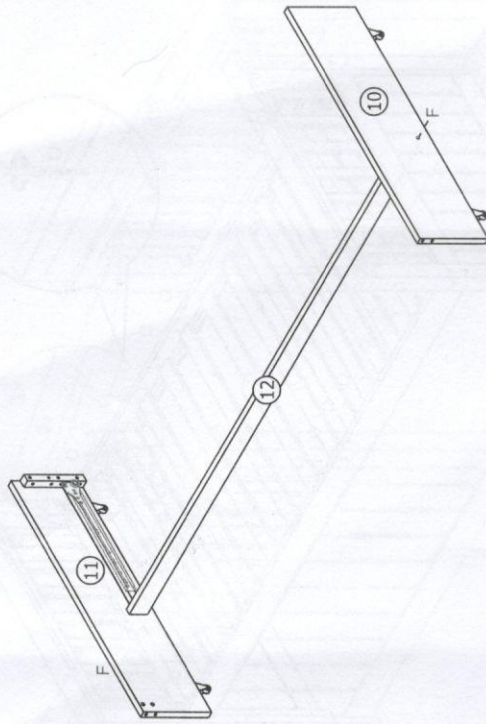
06



J		H35mm	04
E		Ø3x14mm	08

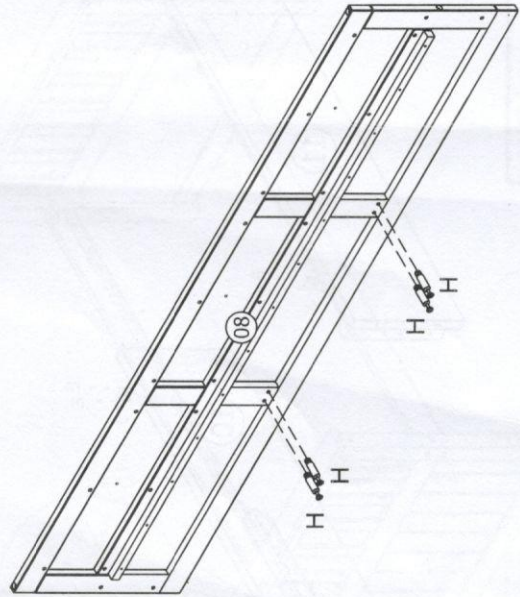
Page 5 of 11

07



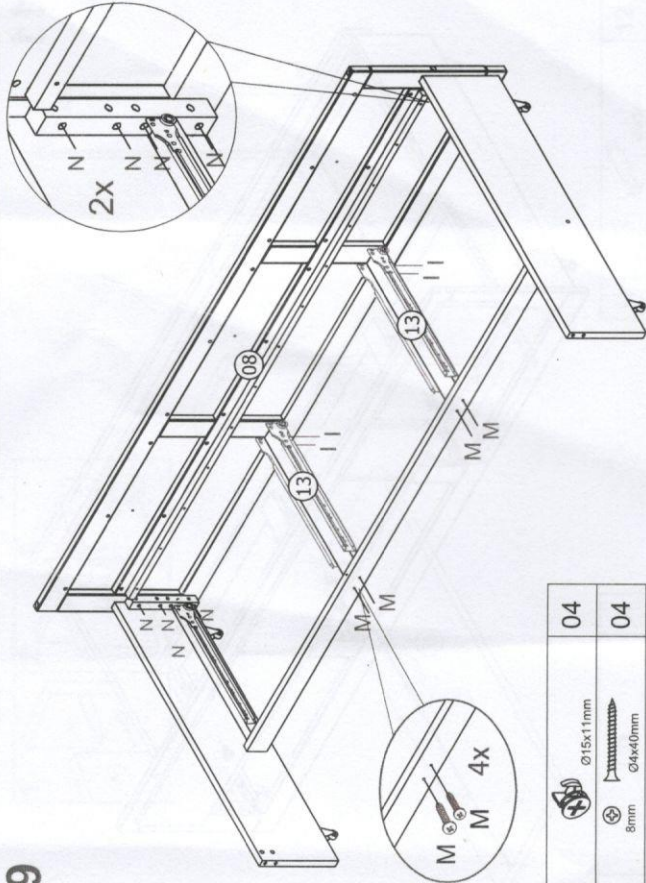
F		10mm
		6x50mm
		02

08



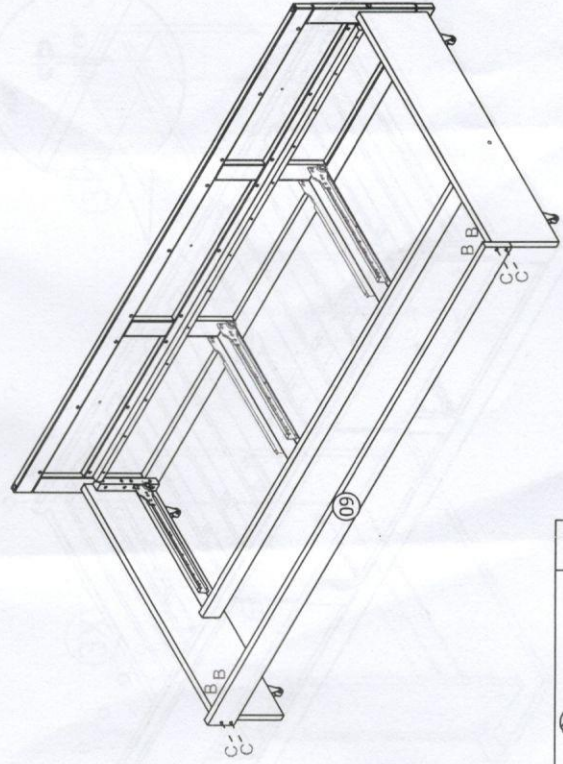
H		6x34mm
		04

09



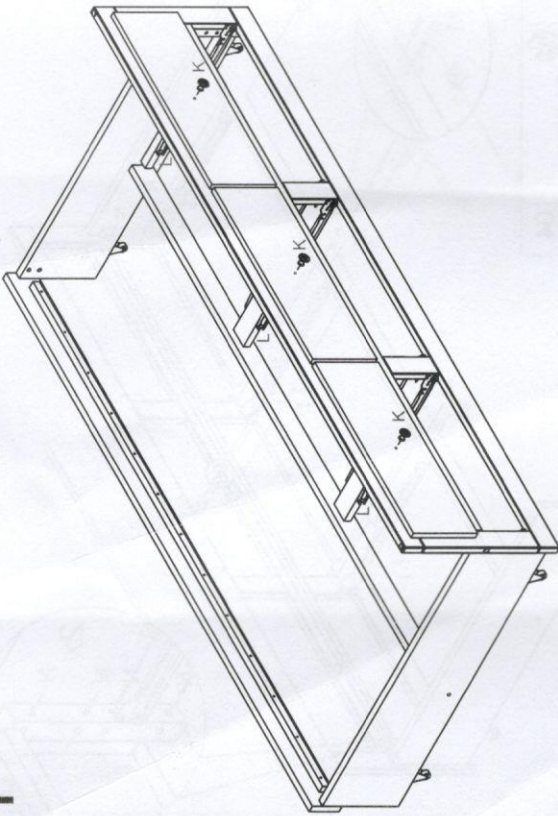
I		15x11mm
M		8mm
N		8mm
		04
		04
		08

10



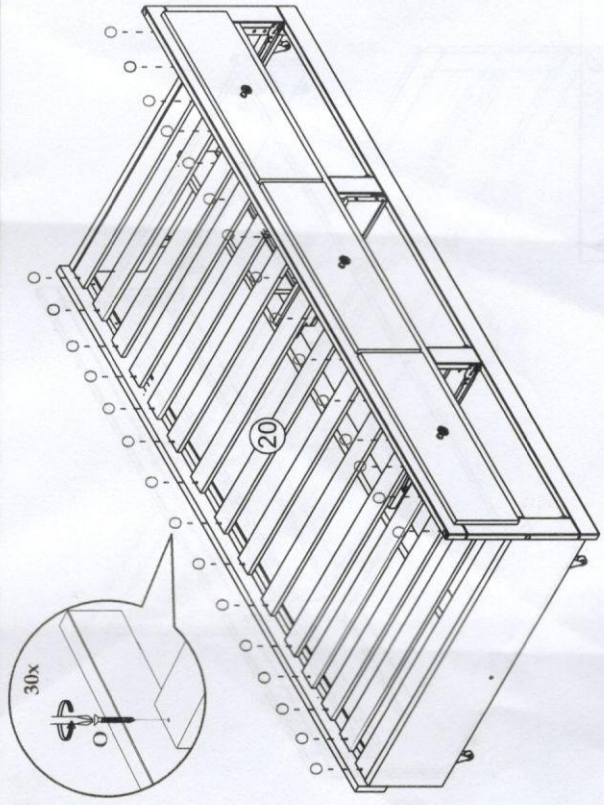
B		M6
C		15mm
		M6x60mm
		04
		04

11



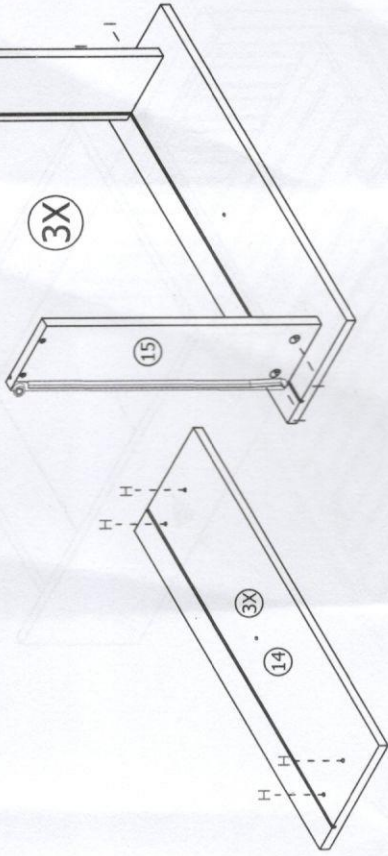
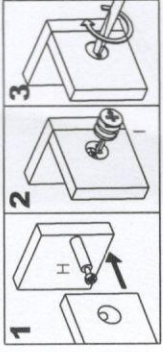
K		03
L		03

12



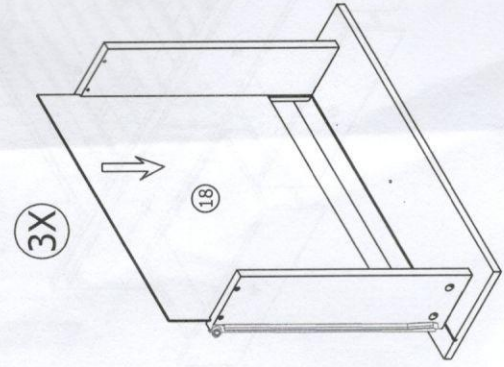
O		30
---	--	----

13



H		12
I		12

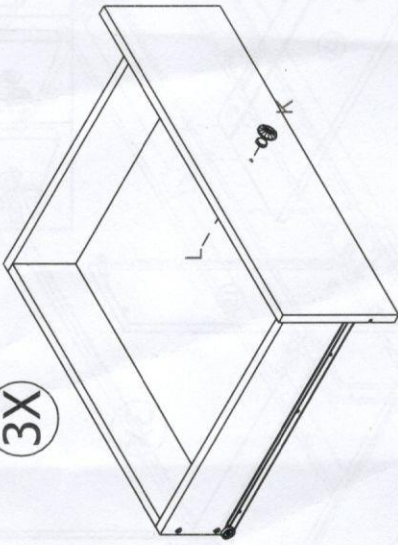
14





M		12
---	--	----

15

3X



K		03
L		03

M4x18mm

16

