

A  
X2



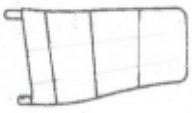
D  
X1



B  
X4



E  
X1



C  
X4



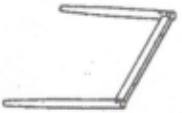
F  
X1



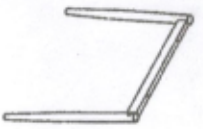
J  
X1



G  
X1



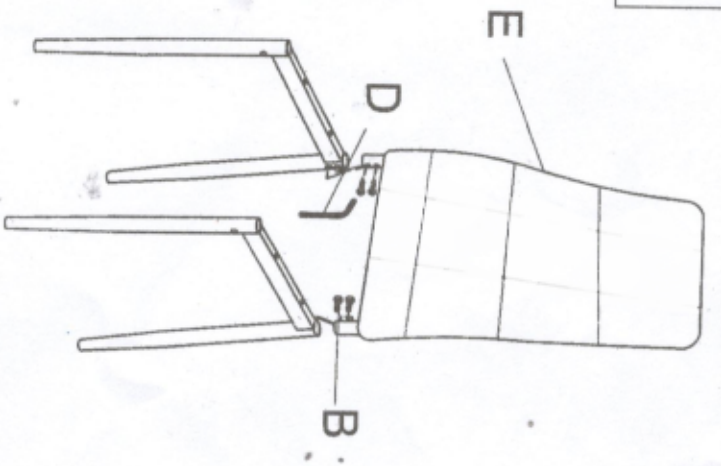
H  
X1



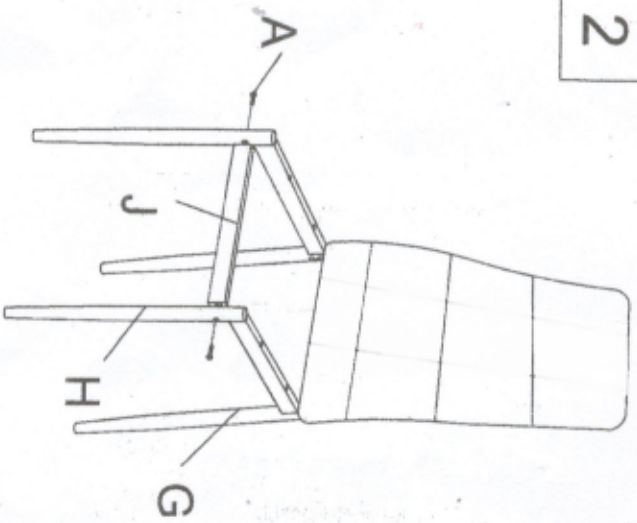
I  
X4



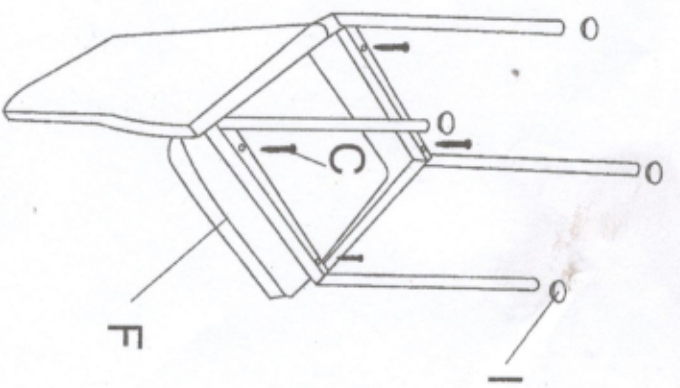
1



2



3



4

