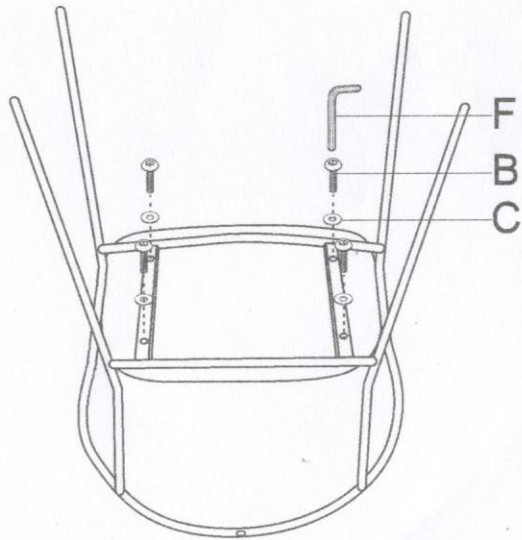
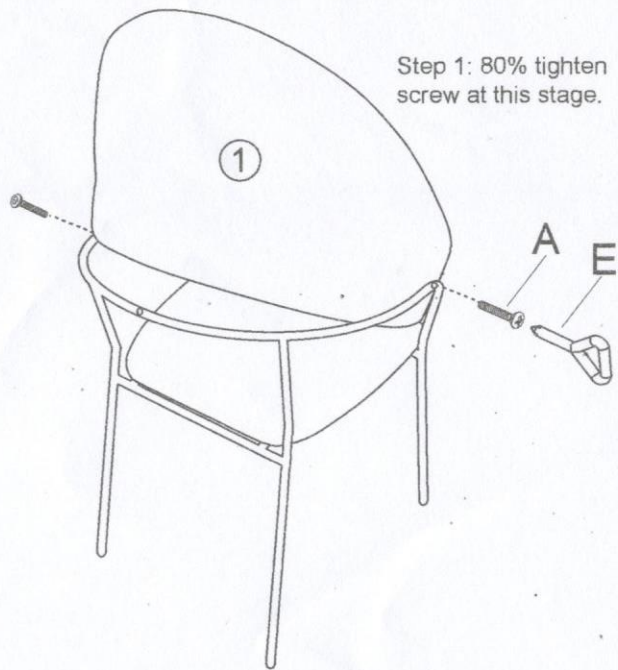


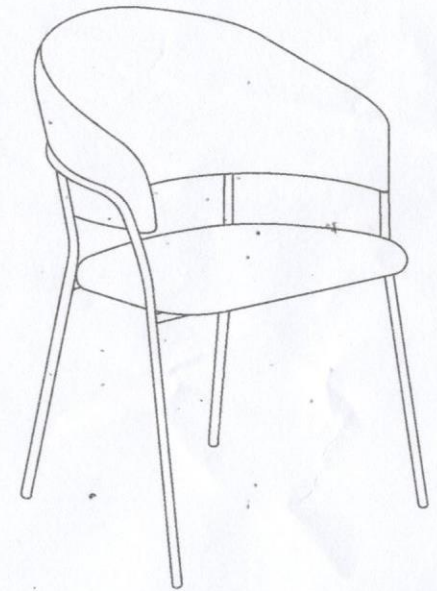
1



2

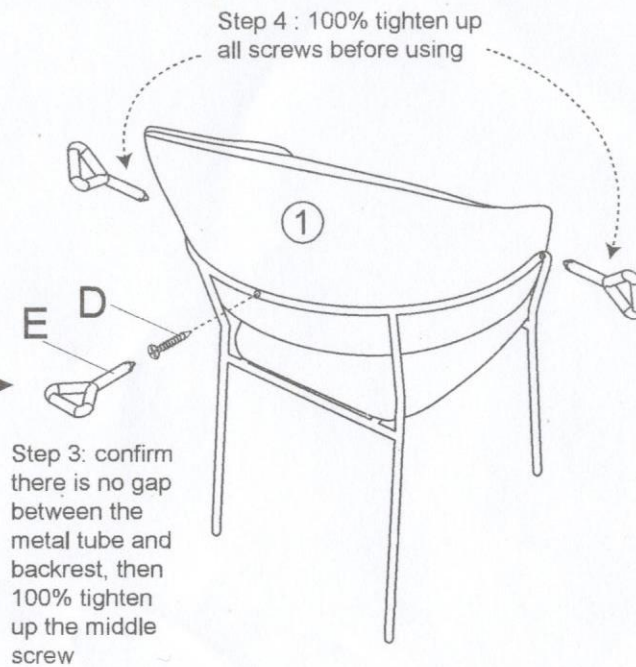
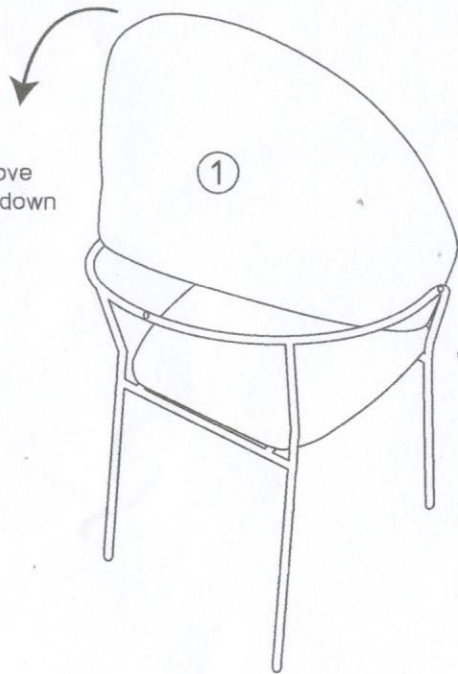


4









3

Step 2: Move the part 1 down



Step 4: 100% tighten up all screws before using

A		2
B		4
C		4
D		1
E		1
F		1